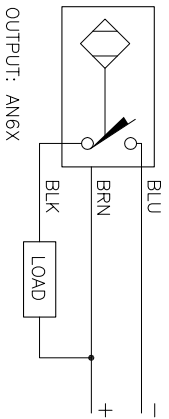
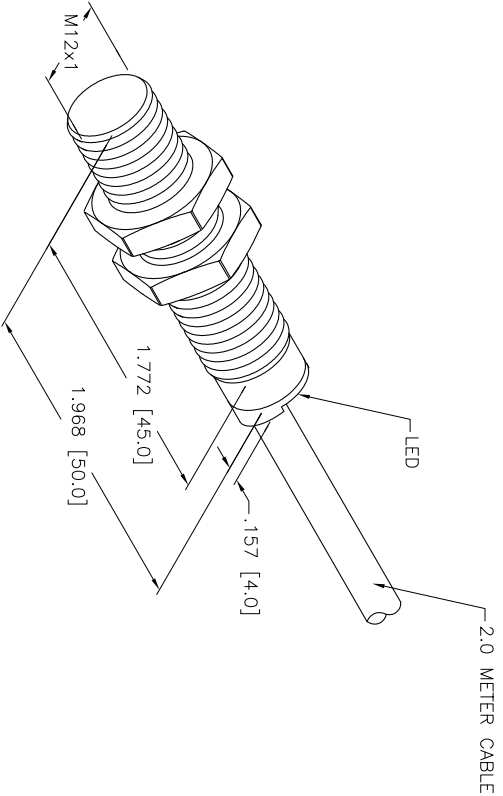
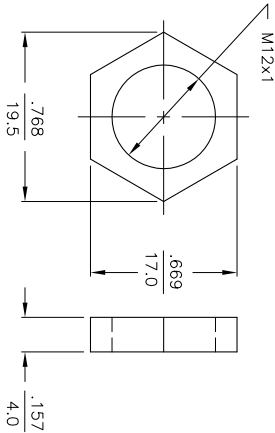


WIRING DIAGRAM



SHORT-CIRCUIT AND OVERLOAD PROTECTED

LOCKNUT LN-M12

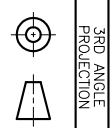


SPECIFICATIONS

RATED OPERATING DISTANCE	4mm [.157]
MOUNTING MODE	FLUSH
TEMPERATURE DRIFT	±10%
HYSTERESIS	3-15%
MIN. REPEAT ACCURACY	±2%
OPERATING TEMPERATURE	-25°C to +75°C (-13°F to +167°F)
RATED OPERATIONAL VOLTAGE	10-30 VDC
RESIDUAL RIPPLE	≤10%
DC RATED OPERATIONAL CURRENT	≤200 mA
NO-LOAD CURRENT	≤15 mA
RESIDUAL CURRENT	≤0.1 mA
RATED INSULATION VOLTAGE	≤0.5 kV
SHORT-CIRCUIT PROTECTION	YES
MAX. VOLTAGE DROP	≤1.8 V
WIRE BREAKAGE PROTECTION	INCORPORATED
REVERSE POLARITY PROTECTION	INCORPORATED
OUTPUT FUNCTION	3-WIRE, NORMALLY OPEN, NPN
MAX. SWITCHING FREQUENCY	≤2 kHz
HOUSING MATERIAL	BRASS, CHROME PLATED
ACTIVE FACE MATERIAL	PLASTIC, PA12-GF30
END CAP MATERIAL	PLASTIC, EPTF
CABLE	ø5.2, PVC
VIBRATION RESISTANCE	55 Hz (IN ALL 3 PLANES)
SHOCK RESISTANCE	30 g, 11 ms
DEGREE OF PROTECTION	IP 67
SWITCHING STATUS INDICATION	LED, YELLOW

SOURCE DRAWING - FOR REFERENCE ONLY

- RELATED DOCUMENTS
- 1.
 - 2.
 - 3.
 - 4.



THIS DRAWING IS CONFIDENTIAL AND THE PROPERTY OF TURCK INC. USE OF THIS DOCUMENT WITHOUT WRITTEN PERMISSION IS PROHIBITED.

TURCK inc
 High Technology Sensors and Automation Controls
 3000 CAMPUS DRIVE
 MINNEAPOLIS, MN 55441
 1-800-544-7769
 (763) 553-7300
 (763) 553-0708 fax
 turck.com

MATERIAL	DRFT	DATE	DESCRIPTION
	RDS	5/17/05	BI 4-M12-AN6X

FINISH	UNIT OF MEASUREMENT	IDENTIFICATION NO.	REV
	INCH [MILLIMETER]	T4607130	A

ALL DIMENSIONS DISPLAYED ON THIS DRAWING ARE FOR REFERENCE ONLY	DO NOT SCALE THIS DRAWING	SHEET	1 OF 1
CONTRACT TURCK FOR MORE INFORMATION			

REV	DESCRIPTION	RDS	DATE	ECO NO.
A	DRAWING RELEASE	05/17/05		